

11A-54K1090 (2008)
Engine Assembly

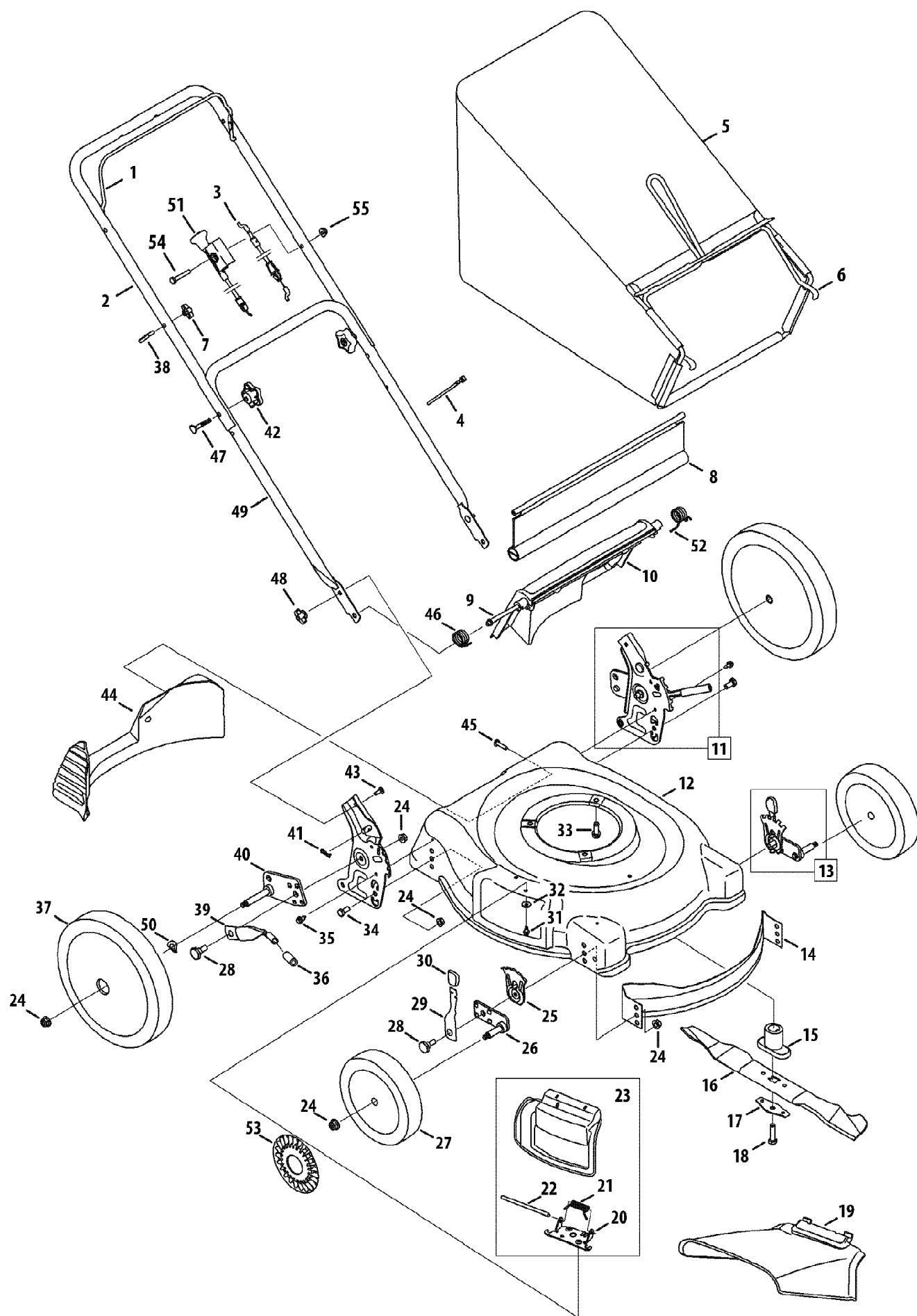
Page 2 of 10

Ref #	Part Number	Qty	S/P/F	Description
1	KH-14-165-01-S	1	S	STARTER, RECOIL (INCLUDES 2,3, RECOIL HOUSING, RECOIL BUSHING, RECOIL GUIDE PLATE, RECOIL SPRINGS, RECOIL PULLEY, RECOIL RETAINER PLATE, RECOIL SHOULDER SCREW)
2	KH-14-160-01-S	1		KIT, STARTER ROPE W/ HANDLE (INCLUDES COIL STARTER ROPE, RECOIL STARTER HANDLE, RECOIL STARTER HANDLE RETAINER, RECOIL ROPE RETAINER)
3	KH-14-379-01-S	2		KIT, PAWL REPAIR (INCLUDES RECOIL SPRING)
4	KH-14-065-01-S	1		KIT, FUEL TANK (INCLUDES 5)
5	KH-14-227-04-S	1		CAP, FUEL ASSY.
6	KH-14-126-16-S	1		BRACKET, FUEL TANK (LOWER)
7	KH-14-100-02-S	1		NUT, FLYWHEEL
8	KH-14-109-02-S	1		CUP, DRIVE
9	KH-14-237-01-S	2		CLAMP, FUEL LINE
10	KH-25-111-34-S	1		LINE, FUEL (24"-CUT TO LENGTH)
11	KH-25-050-07-S	1	/P	FILTER, FUEL
12	KH-14-025-02-S	1		FLYWHEEL (ALUMINUM)
13	KH-14-050-01-S	1		KIT, BREATHER FILTER (INCLUDES BREATHER COVER GASKET, BREATHER COVER SPRING, BREATHER FILTER, BREATHER REED)
15	KH-14-090-04-S	1		LEVER, GOVERNOR
16	KH-14-536-03-S	1		BRACKET, CONTROL (FIX. SP., REM. CHOKE)
17	KH-14-089-05-S	1		SPRING, GOVERNOR
18	KH-14-094-07-S	1		KIT, AIR CLEANER BASE (MAN. CHOKE) (INCLUDES AIR CLEANER BASE GASKET)
19	KH-14-123-01-S	1		TUBE, BREATHER
20	KH-14-083-01-S	1		ELEMENT, AIR CLEANER
21	KH-14-096-09-S	1		COVER, AIR CLEANER
22	KH-14-199-01-S	1		KIT, OIL PAN (INCLUDES 26, 27, GOVERNOR GEAR ASSEMBLY, DOWEL PIN)
23	KH-14-032-05-S	1		SEAL, OIL (PTO)
24	KH-14-041-06-S	1		GASKET, OIL PAN
25	KH-14-755-02-S	1		KIT, VALVE TRAIN (INCLUDES 29, 30, VALVE SPRING RETAINER, VALVE STEM SEAL, ROCKER ARM STUD, VALVE SPRING, JAM NUT, PUSHROD GUIDE PLATE, ROCKER ARM, CYLINDER HEAD DOWEL, PUSH ROD, ROCKER ARM PIVOT)

11A-54K1090 (2008)
Engine Assembly

Page 3 of 10

Ref #	Part Number	Qty	S/P/F	Description
26	KH-14-041-05-S	1		KIT, CARB GASKET (INCLUDES CARBURETOR HEAT SHIELD GASKET, SPACER GASKET, AIR CLEANER BASE GASKET)
27	KH-14-853-02-S	1		KIT, CARBURETOR (CHOKE) W/ GASKETS (INCLUDES 26)
28	KH-14-340-01-S	1		KEY, FLYWHEEL
29	KH-14-017-01-S	1		VALVE, INTAKE
30	KH-14-016-01-S	1		VALVE, EXHAUST
31	KH-14-841-04-S	1		KIT, HEAD GASKET (INCLUDES 26, CYLINDER HEAD GASKET, MUFFLER GASKET)
32	KH-14-318-01-S	1		KIT, CYLINDER HEAD (INCLUDES CARBURETOR STUD, EXHAUST STUD)
33	KH-14-096-05-S	1		KIT, VALVE COVER (INCLUDES 34)
34	KH-14-041-01-S	1		GASKET, VALVE COVER
35	KH-14-068-01-S	1		KIT, MUFFLER (INCLUDES MUFFLER GASKET)
36	KH-14-314-02-S	1		SHIELD, MUFFLER
37	KH-14-072-06-S	2		KIT, EXHAUST HDW. (INCLUDES MUFFLER GASKET, EXHAUST STUD & FLANGE LOCK NUT)
38	KH-14-584-05-S	1		MODULE, IGNITION (ALUM., STD. IGN.)
39	759-3336	1	/P	PLUG, SPARK
40	KH-14-219-01-S	1		KIT, FLYWHEEL BRAKE (INCLUDES BRAKE LEVER, BRAKE SPRING, FLANGE NUTS, BRAKE PAD, GROUND TO KILL LEADS, SCREWS, SWITCH INSULATORS, BRAKE SWITCH CONTACT, BRAKE SPACER, BRAKE BRACKET, FLANGE SCREW, BRAKE LEVER SCREW, NYLON FLATWASHER)
41	KH-14-123-04-S	1		KIT, DIPSTICK AND TUBE (INCLUDES 42, 43)
42	KH-14-153-03-S	1		O-RING, OIL FILL TUBE
43	KH-14-153-01-S	1		O-RING, DIPSTICK
44	KH-14-113-03-S	1		DECAL, WARNING
45	KH-14-096-13-S	1		COVER, ENGINE (GRAY)
46	KH-14-332-04-S	1		INSERT, ENGINE COVER
47	KH-14-027-01-S	1		HOUSING, BLOWER
	KH-14-755-01-S	1		GASKET SET (INCLUDES 23-24, 26, 31, 34, 42-43, BREATHER COVER GASKET, GOVERNOR LEVER OIL SEAL, VALVE STEM SEAL, HEAT DEFLECTOR EXHAUST GASKET, HEAD GASKET, CRANKCASE/FLYWHEEL SEAL)



11A-54K1090 (2008)
General Assembly

Page 5 of 10

Ref #	Part Number	Qty	S/P/F	Description
1	747-1161A	1	S	Blade Control
2	749-1092A	1	/P	Upper Handle
3	746-04299	1	S	Control Cable
4	726-0240	1	S	Cable Tie
5	664-04034A	1	S	Grass Bag Assembly
6	747-04080A	1	S	Grass Bag Frame
7	720-0279	1	/P	Handle Knob
8	731-05642	1	S	Trailshield
9	747-04588	1		Pivot Rod
10	731-05865	1		Rear Discharge Door
11	687-02280A	1	S	Rear Handle Bracket Assy. - LH
11	687-02279A	1	S	Rear Handle Bracket Assy. - RH
12	787-01279	1		Deck 21-inch
13	687-02075B	1	S	Front Hgt. Adj. Assy. - LH
13	687-02074B	1	S	Front Hgt. Adj. Assy. - RH
14	782-5002B	1	/P	Front Baffle
15	748-0377C	1	S	Blade Adapter
16	742-0741	1	S	21-inch Mulching Blade
17	736-0524B	1	/P	Bell Blade Support
18	710-1257	1	/P	Hex Screw, 3/8-24 x 2.5
19	731-04177	1	/P	Side Discharge Chute
20	17032A	1	/P	Deflector Chute Adaptor
21	732-1014	1		Torsion Spring
22	747-0710	1	S	Hinge Pin
23	687-02055	1	S	Mulch Plug Assembly
24	712-04065	1	/P	Flange Lock Nut 3/8-16
25	787-01290	1	S	Height Adjustment Plate
26	687-02337	1	S	Pivot Arm Assy RH
26	687-02338	1	S	Pivot Arm Assy LH
27	734-2005A	1	S	Front Wheel
28	738-04266	1		Shoulder Scr., .5D x .385
29	732-0404	1	S	Front Spring Lever
30	720-0426	1	/P	Height Adjust Knob
31	710-0599	1	/P	TT Screw, 1/4-20 x .500
32	736-0270	1	/P	Bell Washer
33	710-0654A	1	/P	TT Screw, 3/8-16 x 1.0
34	710-0216	1	/P	Hex Screw, 3/8-16 x .75
35	710-1652	1	/P	TT Screw, 1/4-20 x .625
36	720-0312	1		Foam Grip
37	734-04093	1		Rear Wheel, 12 x 2.125, Zag
38	710-1205	1	/P	Eye Bolt
39	732-0866	1		Rear Hi-Wheel Spring Lever
40	687-02335	1	S	Rear Pivot Arm Assy - RH
40	687-02336	1	S	Rear Pivot Arm Assy - LH
41	714-0104	1	S	Hairpin Clip
42	720-04072	1	S	Star Knob
43	710-0703	1	/P	Carriage Bolt ,1/4-20 x .75
44	731-04150C	1	/P	Rear Baffle
45	710-1241	1		Screw HL, 1/4-15 x 1.00
46	732-04090A	1		Torsion Spring - RH
47	710-1174	1	/P	Carriage Bolt, 5/16-18 x 2
48	712-0397	1	S	Wing Nut
49	749-0928A	1	S	Wing Nut

11A-54K1090 (2008)
General Assembly

Page 6 of 10

Ref #	Part Number	Qty	S/P/F	Description
50	736-0182	1	/P	Spring Washer
51	746-04239A	1		Choke Cable
52	732-04089A	1		Torsion Spring - LH
53	731-0981A	1	S	Hub Cap
54	710-0606	1	/P	Screw, 1/4-20 x 1.50
55	712-04064	1	/P	Nut, Flange Lock, 1/4-20

3.

REF. 777S32102
Mold-In Graphic
(In Plastic Bagger Door)



PLACE MODEL PLATE FACING
OPERATORS POSITION

2.

777S30145



1.

777I22638

Place Under Label 777I20793
Above Choke Knob
Facing Inside Of Handles



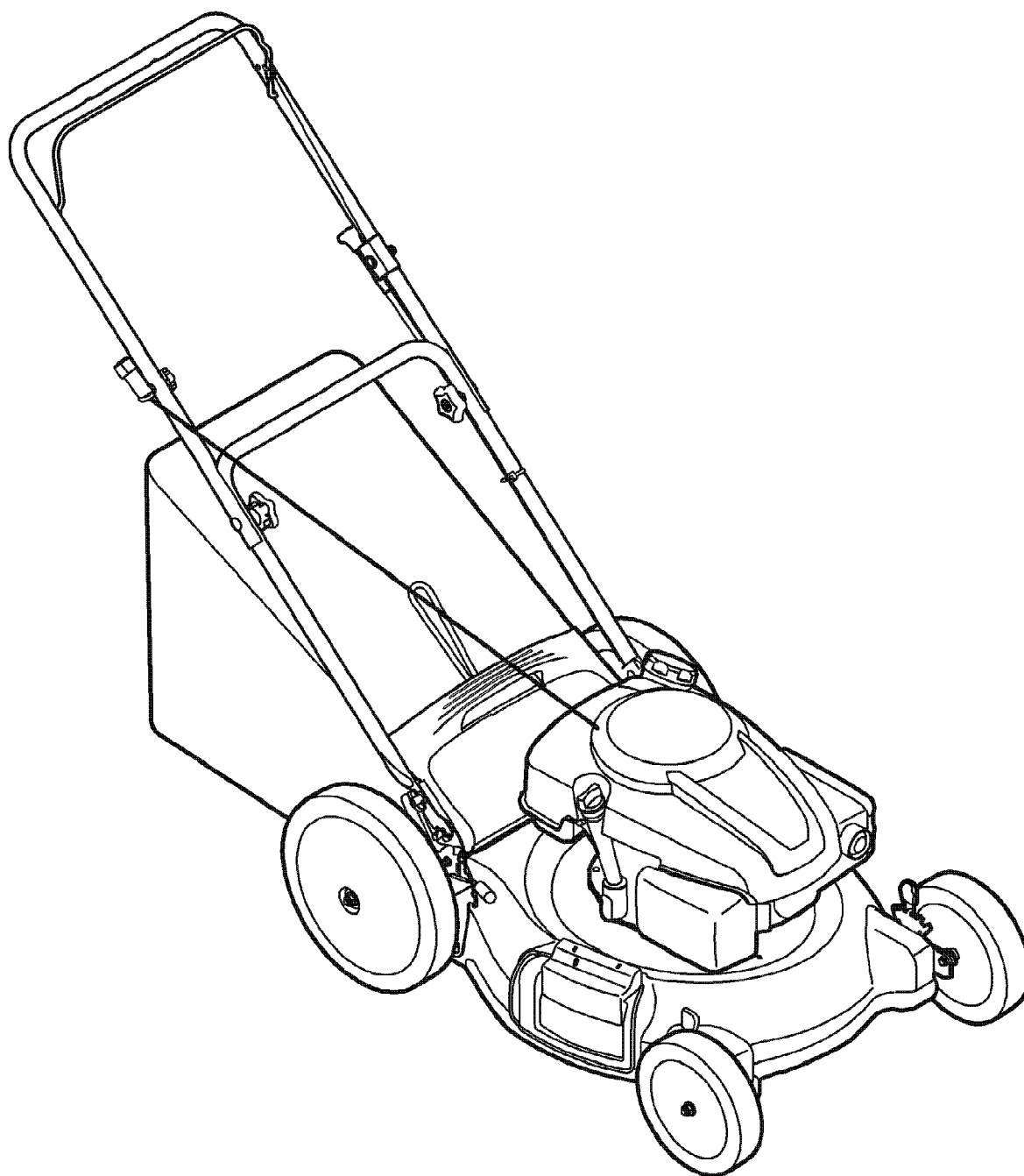
4.

777D12148



11A-54K1090 (2008)
Label Map

Ref #	Part Number	Qty	S/P/F	Description
1	777I22638	1		LBL:MWR:HNDL:CHOKE STRT/RUN
2	777S30145	1	S	LABEL
3	777S32102	1		LBL:DANGER
4	777D12148	1		LBL:KOHLER



11A-54K1090 (2008)
Quick Reference

Page 10 of 10

Ref #	Part Number	Qty	S/P/F	Description
	759-3336	1	/P	Spark Plug
	N/A	1		Pre-Filter
	KH-14-083-01-S	1		Air Filter
	KH-25-050-07-S	1	/P	Fuel Filter
	NA	1		Drive Belt
	746-04299	1	S	Control Cable (brake)
	NA	1		Drive Cable
	942-0741	1	/P	Blade
	710-1257	1	/P	Blade Bolt
	748-0377C	1	S	Blade Adapter
	734-2005A	1	S	Deck Wheels (Front)
	734-04093	1		Deck Wheels (Back)
	N/A	1		Ignition Key
	964-04034A	1	/P	Grass Bag
	731-05642	1	S	Trailshield
	731-04177	1	/P	Discharge
	687-02055	1	S	Mulch Plug Assembly (Attachment)